

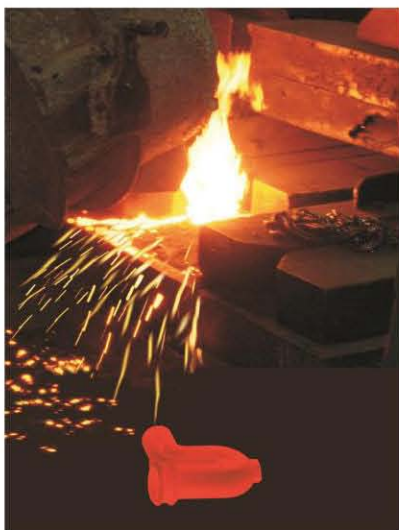
Eco-Fittings For
BS416:Part 1:1990
Cast Iron Discharge & Ventilating Pipes




祥興鑄鐵有限公司
CHEUNG HING FOUNDRY (HK) LIMITED



Introduction



CHF- has made every endeavour to develop and manufacture cast iron products to meet the requirement of relevant standards and to cater for the needs of local drainage and plumbing industries. All through years, CHF has made every endeavour to develop and manufacture cast iron products to meet the requirement of relevant standards and to cater for the needs of local drainage and plumbing industries.

CHF specializes in manufacturing cast iron pipes and fittings, rainwater outlets, manhole covers and frames, channel gratings, special castings such as copper, stainless steel, etc.

The purpose of this catalog is to provide a comprehensive introduction of CHF BS416 cast iron fittings. These fittings are compatible with cast iron discharge and ventilating pipes which conform to BS 416: Part1:1990. BS416 cast iron fittings are for use above ground in the discharge or ventilating pipe systems within or external to building including any basements, but excluding any pipe works which enter into the ground.

Strict Quality Control and High Calibre of Manufacture



Our products have also undergone tests performed by HKAS accredited laboratories under HOKLAS.



They are proved to comply with the requirements of Buildings Department PNAP 282 - Cast Iron Pipes for Drainage Works.






Material

The Cast Iron of material are comply with BS EN 1561 EN-GJL-150



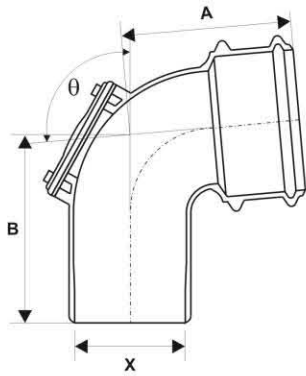
祥興鑄鐵有限公司
CHEUNG HING FOUNDRY (HK) LIMITED

Table of Contents

	1 BEND 彎邊	
	1.1 Bend, 95° With Access Door 95° 正口彎邊	
	1.2 Bend, 45° With Access Door 45° 正口彎邊	1
	1.3 Bend, 95° Medium Radius With Access Door 95° 正口中彎邊	
	1.4 Bend, 95° Large Radius With Access Door 95° 正口大彎邊	2
	2 REDUCER 刁士	
	3 SOCKET 梳杰	
	3.1 Socket 梳杰	
	3.2 Socket With Horn 正咀梳杰	3
	4 TEE 三叉/三通	
	4.1 Tee, 95° Equal With Access Door 95° 正口等徑三叉	
	4.2 Tee, 95° Unequal With Access Door 95° 正口異徑三叉	4
	4.3 Tee, 45° Equal With Access Door 45° 正口等徑斜上三叉	
	4.4 Short Connecting Pipe With Access Door 正口短坭	5
	5 TRAP 隔氣	
	5.1 Trap, Anti-syphon "P" With Access Door 正口 P 型防吸力隔氣	6
	Eco-Cast Iron Anti-Syphonage "P" Traps 鑄鐵內牙梳杰有通積 P 型防吸力隔氣	7
	6 Vertical / Horizontal Fresh Air Inlet 撞風頭 (企身用) (橫身用)	8-9
	 HOKLAS Endorsed Test Certificates	10-12



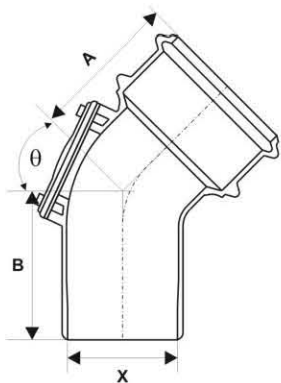
1 BEND 彎邊



1.1 Bend, 95° With Access Door
95°正口彎邊

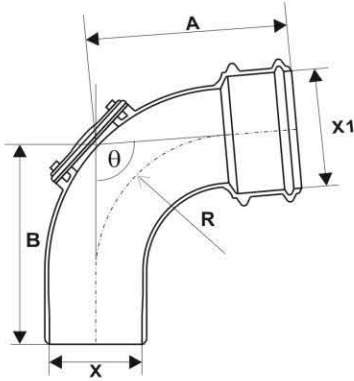
Code No. 貨號	Nominal Bore 公稱內徑 (mm)	Dimension 尺寸 (mm)			
		A	B	X	θ
BB050B	50	120	120	50	95°
BB075B	75	130	130	75	95°
BB100B	100	155	170	100	95°
BB150B	150	191	220	150	95°

1



1.2 Bend, 45° With Access Door
45°正口彎邊

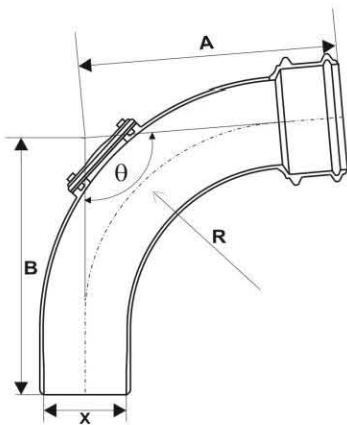
Code No. 貨號	Nominal Bore 公稱內徑 (mm)	Dimension 尺寸 (mm)			
		A	B	X	θ
BA050B	50	110	110	50	45°
BA075B	75	120	120	75	45°
BA100B	100	135	135	100	45°
BA150B	150	150	170	150	45°



1.3 Bend, 95° Medium Radius With Access Door
95°正口中彎邊

Code No. 貨號	Nominal Bore 公稱內徑 (mm)	Dimension 尺寸 (mm)				
		A	B	X	R	θ
BC075B	75	205	200	75	130	95°
BC100B	100	220	220	100	144	95°

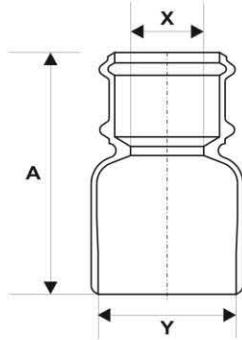
2



1.4 Bend, 95° Large Radius With Access Door
95°正口大彎邊

Code No. 貨號	Nominal Bore 公稱內徑 (mm)	Dimension 尺寸 (mm)				
		A	B	X	R	θ
BD075B	75	300	300	75	245	95°
BD100B	100	330	320	100	250	95°
BD150B	150	335	313	150	240	95°

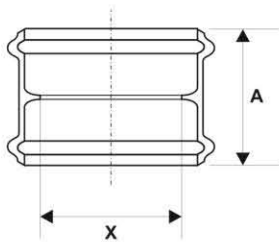
2 REDUCER 刁士



2 Reducer 刁士

Code No. 貨號	Nominal Bore 公稱內徑 (mm)	Dimension 尺寸 (mm)		
		A	X	Y
	mm x mm			
FA075050	75X50	165	50	75
FA100050	100X50	175	50	100
FA100075	100X75	175	75	100
FA150050	150X50	195	50	150
FA150075	150X75	195	75	150
FA150100	150X100	195	100	150

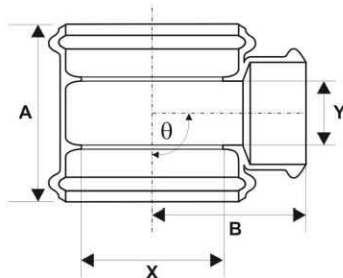
3 SOCKET 梳杰



3.1 Socket 梳杰

Code No. 貨號	Nominal Bore 公稱內徑 (mm)	Dimension 尺寸 (mm)	
		A	X
KA050	50	84	50
KA075	75	90	75
KA100	100	100	100
KA150	150	120	150

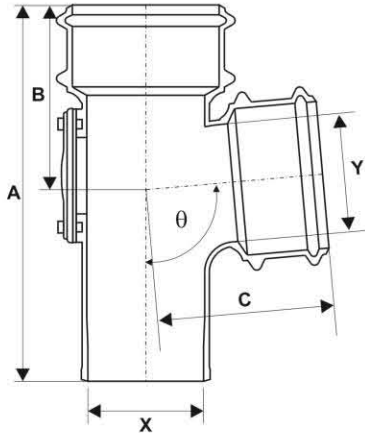
3



3.2 Socket With Horn 正咀梳杰

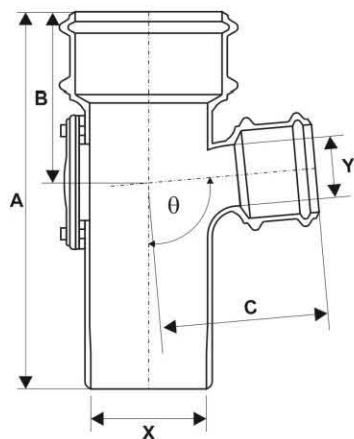
Code No. 貨號	Nominal Bore 公稱內徑 (mm)	Dimension 尺寸 (mm)				
		A	B	X	Y	θ
KC100050C	100 X 50	130	113	100	50	90°

4 TEE 三叉



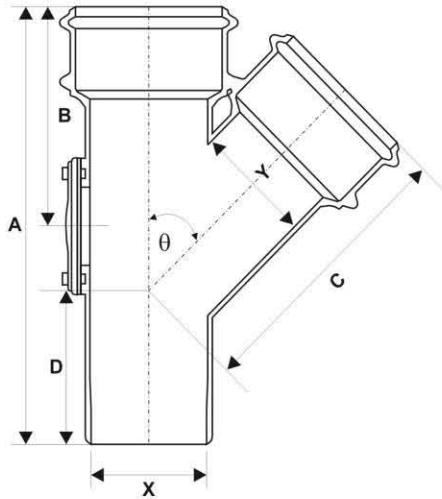
4.1 Tee, 95° Equal With Access Door
95°正口等徑三叉

Code No. 貨號	Nominal Bore 公稱內徑 (mm)	Dimension 尺寸 (mm)					
		A	B	C	X	Y	θ
TA050050B	50X50	235	120	120	50	50	95°
TA075075B	75X75	280	140	140	75	75	95°
TA100100B	100X100	325	160	160	100	100	95°
TA150150B	150X150	390	195	195	150	150	95°



4.2 Tee, 95° Unequal With Access Door
95°正口異徑三叉

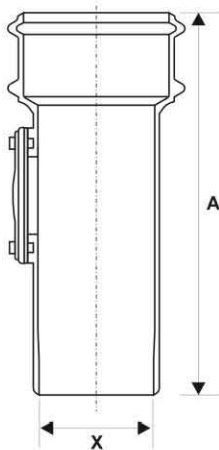
Code No. 貨號	Nominal Bore 公稱內徑 (mm)	Dimension 尺寸 (mm)					
		A	B	C	X	Y	θ
TA075050B	75X50	280	130	130	75	50	95°
TA100050B	100X50	325	150	147	100	50	95°
TA100075B	100X75	325	150	152	100	75	95°
TA150050B	150X50	360	170	180	150	50	95°
TA150075B	150X75	360	170	185	150	75	95°
TA150100B	150X100	360	170	185	150	100	95°



4.3 Tee, 45° Equal With Access Door
45°正口等徑斜上三叉

Code No. 貨號	Nominal Bore 公稱內徑 (mm)	Dimension 尺寸 (mm)						
		A	B	C	D	X	Y	θ
TB050050B	50X50	250	130	190	82	50	50	45°
TB075075B	75X75	320	170	200	120	75	75	45°
TB100100B	100X100	370	190	240	130	100	100	45°
TB150150B	150X150	450	240	320	130	150	150	45°

5



4.4 Short Connecting Pipe With Access Door
正口短峒

Code No. 貨號	Nominal Bore 公稱內徑 (mm)	Dimension 尺寸 (mm)	
		A	X
TN050B	50	235	50
TN075B	75	300	75
TN100B	100	305	100
TN150B	150	380	150