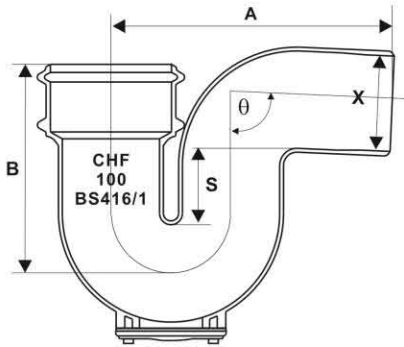


Eco-Fittings For
BS416:Part 1:1990
Cast Iron Discharge & Ventilating Pipes



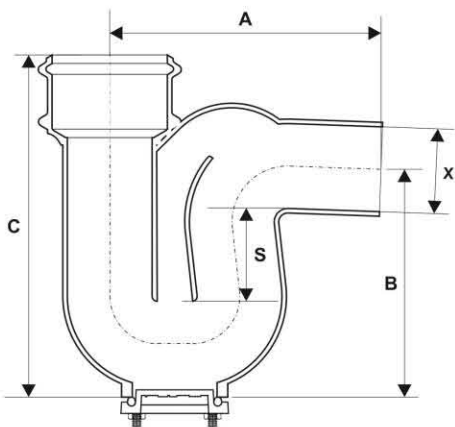
祥興鑄鐵有限公司
CHEUNG HING FOUNDRY (HK) LIMITED

5 TRAP 隔氣



5.1 Trap, High Invert "P" With Access Door
深水 P 型正口隔氣

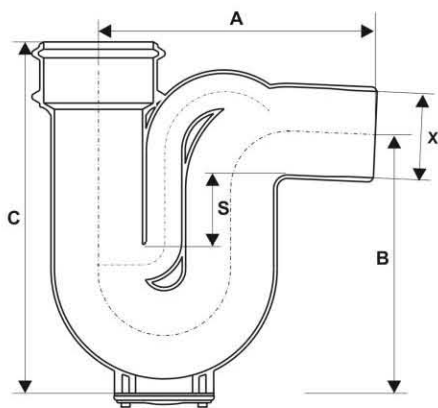
Code No. 貨號	Nominal Bore 公稱內徑 (mm)	Dimension 尺寸 (mm)				
		A	B	S	X	θ
CB075B	75	250	208	80	75	87.5°
CB100B	100	295	219	80	100	87.5°
CB150B	150	375	265	80	150	87.5°



5.2 Trap, Anti-syphon "P" With Access Door
正口 P 型防吸力隔氣

Code No. 貨號	Nominal Bore 公稱內徑 (mm)	Dimension 尺寸 (mm)				
		A	B	C	S	X
CC075	75	240	201	302	80	75

6



5.2a Trap, Anti-syphon "P" With Access Door
正口 P 型防吸力隔氣

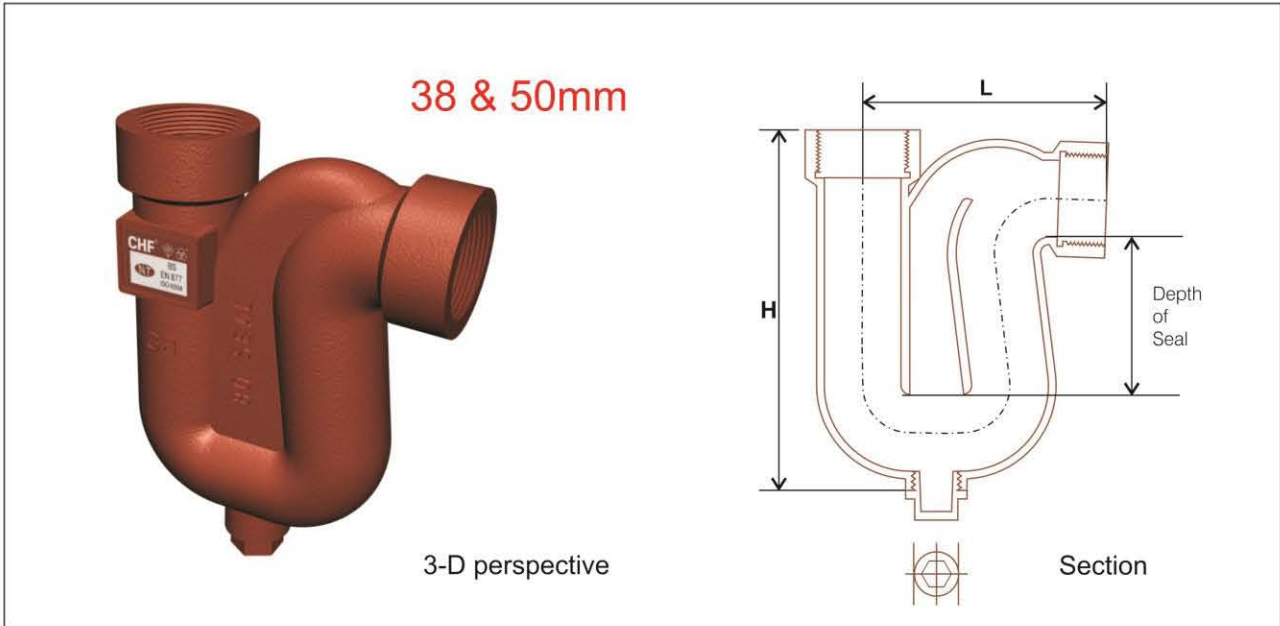
Code No. 貨號	Nominal Bore 公稱內徑 (mm)	Dimension 尺寸 (mm)				
		A	B	C	S	X
CC100	100	320	304	410	80	100
CC150	150	410	375	535	80	150



ECO-Cast Iron Anti-Syphonage "P" Traps

with Female Threaded Sockets and Cleaning Plugs

鑄鐵內牙梳杰有通積"P"型防吸力隔氣



Not to scale, all drawings are for reference only.

7

Stock Code:	CCA038
Standard:	BS416. Suitable for BS EN877.
Material:	100% recyclable cast iron are comply with BS EN 1561 EN-GJL-150
Coating:	Red Epoxy
Features:	<ol style="list-style-type: none"> 1) Allows a level of water seal (80mm) so as to disable the passage of air. 2) Prevents undesirable and foul odors from backflowing from the drainage system into the building as a result of heavy discharge of waste water. 3) Particularly suitable for main pipe works without secondary ventilation. 4) Can be fitted to drinking fountains, washbasins, sinks, bathtubs and rainwater outlets, etc.

Technical Specifications

Code	DN of Socket	H Approx.	L Approx.	DN of Cleaning Plug Approx.	Depth of Seal Approx.
CCA038	φ 38mm	~188mm	~127mm	φ 20mm	~80mm
CCA050	φ 50mm	~230mm	~166mm	φ 20mm	~80mm

NOTE:

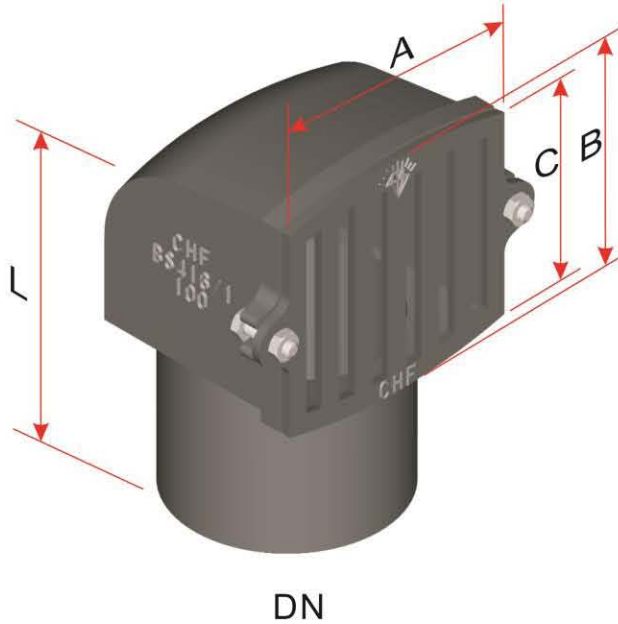
1. The physical structure of cast iron may change during and/or after the process of smelting, therefore variance in the dimensions of products is anticipated.
2. All specifications described here are subject to change without notice.
3. All drawings shown in this catalog are for reference only. (Not to scale)
4. Features and specifications are subject to change depending on market requirements.
5. Cheung Hing Foundry (HK) Limited reserves the right to make any changes without notice concerning colors or specifications detailed in this catalog or to discontinue individual products.
6. The colors of products may differ from those in this catalog.
7. All rights reserved. It is unlawful to copy or extract the whole or part of the materials from this catalog without written consent of Cheung Hing Foundry (HK) Limited.



祥興鑄鐵有限公司
CHEUNG HING FOUNDRY (HK) LIMITED

6 FRESH AIR INLET 撞風頭

6 Fresh Air Inlet 撞風頭

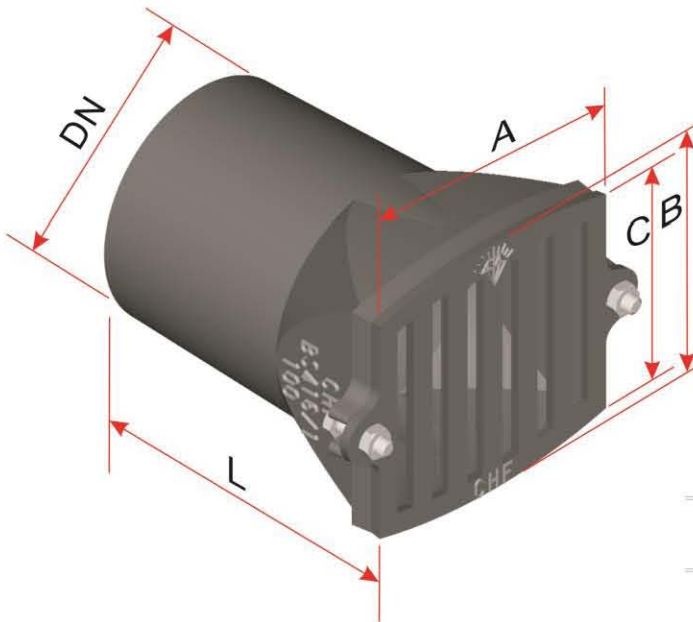


Vertical Fresh Air Inlet
撞風頭(企身用)

Fresh air inlet body dimension			Fresh air inlet grating dimension		
Code No. 貨號	DN 公稱內徑 (mm)	L 長 (mm)	A 闊 (mm)	B 高 (mm)	C 高1 (mm)
KE075	75	215	128	120	104
KE100	100	205	128	120	104
KE150	150	235	180	170	135

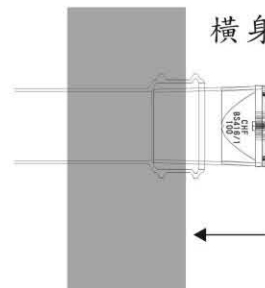


直身撞風頭適用範圍



Horizontal Fresh Air Inlet
撞風頭(橫身用)

Fresh air inlet body dimension			Fresh air inlet grating dimension		
Code No. 貨號	DN 公稱內徑 (mm)	L 長 (mm)	A 闊 (mm)	B 高 (mm)	C 高1 (mm)
KF075	75	170	128	120	104
KF100	100	170	128	120	104
Kf150	150	175	180	170	135

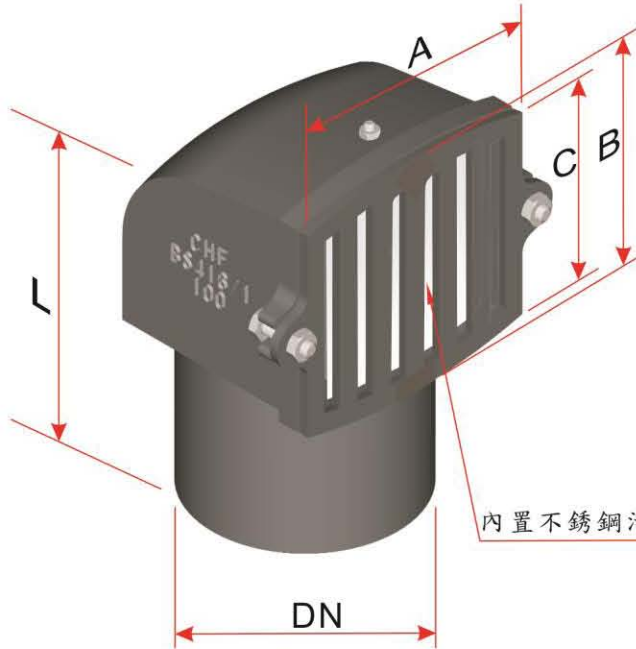


橫身撞風頭適用範圍

Note : All drawings are for reference only. (NOT TO SCALE) Users must refer to individual products for actual design and pattern.
注意：以上圖表、尺寸、標誌及商標，只供參考。所有尺寸、款式、規格均以實物為準。

Fresh Air Inlet with swing door

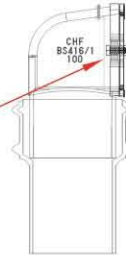
撞風頭(內置活門)



Vertical Fresh Air Inlet
撞風頭(企身用)

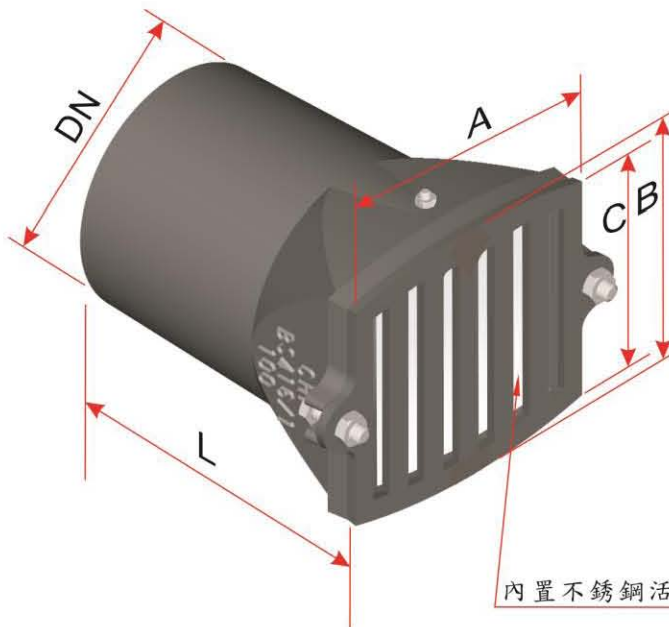
Fresh air inlet body dimension			Fresh air inlet grating dimension		
Code No. 貨號	DN 公稱內徑 (mm)	L 長 (mm)	A 闊 (mm)	B 高 (mm)	C 高1 (mm)
KE075	75	200	128	120	104
KE100	100	225	128	120	104

內置不銹鋼活門套裝



直身撞風頭適用範圍

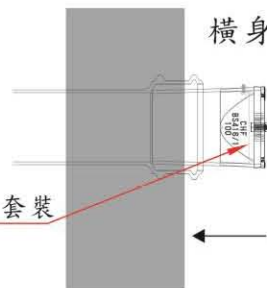
9



Horizontal Fresh Air Inlet
撞風頭(橫身用)

Fresh air inlet body dimension			Fresh air inlet grating dimension		
Code No. 貨號	DN 公稱內徑 (mm)	L 長 (mm)	A 闊 (mm)	B 高 (mm)	C 高1 (mm)
KF075	75	170	128	120	104
KF100	100	170	128	120	104

內置不銹鋼活門套裝



橫身撞風頭適用範圍

牆身

Note : All drawings are for reference only. (NOT TO SCALE) Users must refer to individual products for actual design and pattern.
注意：以上圖表、尺寸、標誌及商標，只供參考。所有尺寸、款式、規格均以實物為準。



ECO-Cast Iron Anti-Syphonage "P" Traps with Female Threaded Sockets and Cleaning Plugs

鑄鐵內牙梳杰有通積 "P" 型防吸力隔氣



HOKLAS Endorsed Test Certificates

38mm

CASTCO 佳力高試驗中心有限公司
CASTCO TESTING CENTRE LTD.

香港粉嶺安樂街33號 33, On Kai Street, Fanning, Hong Kong Tel: 2677 2138
香港粉嶺安樂街29A號 29A, On Chuen Street, Fanning, Hong Kong Fax: 2677 0351
E-mail: castco@hoklas.com Website: www.castco.com.hk

Test Certificate
Dimension check on discharge and ventilating pipes and fittings, sand-cast or spun in cast iron (Based on BS416 : Part 1 : 1990, Clause 4)

Date of issue: 30-06-2009 Page 1 of 1 page Castco LRN: DP0090617-032 DDM

Details as supplied by client
Client: Cheung Hing Foundry Ltd. Job title: --
Contract no.: -- Client's ref. no.: --
Sample description: DN38mm Anti-Syphonage P Traps with Threads
Manufacturer: Cheung Hing Foundry Ltd. Brand: CHF
Remark: -- Sample Submitted by: Asia Development (H.K.) Ltd.

Laboratory test result
Date sample received: 17-06-2009 Date of test: 20-06-2009

Dimension Check
Specimen no.: DP0090617-032

Dimensions	BS requirement from figure --	Product requirement from code no. CCA038	Measured mean value
A	--	188 mm	188 mm
B	--	127 mm	127 mm
C	--	151 mm	150 mm
D	--	40 mm	40 mm
S	--	80 mm	86 mm

Remarks: 1. Test result relates only to the specimen tested.
2. Compliance check against BS416 : Part 1 : 1990 clause 4 was not possible as this fitting could not be found in the Standard.

Checked by: K. N. SIT Approved Signatory: CHAN MAN KWONG Technical Manager

50mm

CASTCO 佳力高試驗中心有限公司
CASTCO TESTING CENTRE LTD.

香港粉嶺安樂街33號 33, On Kai Street, Fanning, Hong Kong Tel: 2677 2138
香港粉嶺安樂街29A號 29A, On Chuen Street, Fanning, Hong Kong Fax: 2677 0351
E-mail: castco@hoklas.com Website: www.castco.com.hk

Test Certificate
Dimension check on discharge and ventilating pipes and fittings, sand-cast or spun in cast iron (Based on BS416 : Part 1 : 1990, Clause 4)

Date of issue: 30-06-2009 Page 1 of 1 page Castco LRN: DP0090617-033 DDM

Details as supplied by client
Client: Cheung Hing Foundry Ltd. Job title: --
Contract no.: -- Client's ref. no.: --
Sample description: DN50mm Anti-Syphonage P Traps with Threads
Manufacturer: Cheung Hing Foundry Ltd. Brand: CHF
Remark: -- Sample Submitted by: Asia Development (H.K.) Ltd.

Laboratory test result
Date sample received: 17-06-2009 Date of test: 20-06-2009

Dimension Check
Specimen no.: DP0090617-033

Dimensions	BS requirement from table 1	Product requirement from code no. CCA050	Measured mean value
A	--	230 mm	228 mm
B	--	166 mm	168 mm
C	--	165 mm	165 mm
D	≥ 48 mm	50 mm	50 mm
S	--	80 mm	85 mm

Remarks: 1. Test result relates only to the specimen tested.
2. Test results of the sample comply with the requirement of BS416 : Part 1 : 1990, Clause 4.
3. Compliance of the test results to the specified standards is an opinion of the laboratory and is not covered under the HOKLAS accreditation.

Checked by: K. N. SIT Approved Signatory: CHAN MAN KWONG Technical Manager

CASTCO 佳力高試驗中心有限公司
CASTCO TESTING CENTRE LTD.

香港粉嶺安樂街33號 33, On Kai Street, Fanning, Hong Kong Tel: 2677 2138
香港粉嶺安樂街29A號 29A, On Chuen Street, Fanning, Hong Kong Fax: 2677 0351
E-mail: castco@hoklas.com Website: www.castco.com.hk

Test Certificate
Leakage Test of Cast Iron Discharge and Ventilating Pipes and Fittings, Sand-cast or Spun in Cast Iron (BS416 : Part 1 : 1990 Specification for spigot and socket systems Clause 5)

Date of issue: 30-06-2009 Page 1 of 1 page Castco LRN: DP0090617-032 HYD

Details as supplied by client
Client: Cheung Hing Foundry Ltd. Job title: --
Contract: -- Client's ref. no.: --
Description of fitting: Nominal size: 38 mm Length: -- Type: Anti-Syphonage P Traps with Threads
Brand name: CHF

Delivery date: -- Sample Submitted by: Asia Development (H.K.) Ltd.

Laboratory test result
Date received: 17-06-2009 Date of test: 23-06-2009

Specimen no.	DP0090617-032
Actual internal hydrostatic pressure apply	0.5 bar
Sustain period (min)	0.5
Test result	Passed

Remarks: 1. Test results relate only to the specimen tested.
2. Test results of the sample comply with the requirement of BS416 : Part 1 : 1990 Specification for spigot and socket systems Clause 5.

Checked by: K. N. SIT Approved Signatory: CHAN MAN KWONG Technical Manager

CASTCO 佳力高試驗中心有限公司
CASTCO TESTING CENTRE LTD.

香港粉嶺安樂街33號 33, On Kai Street, Fanning, Hong Kong Tel: 2677 2138
香港粉嶺安樂街29A號 29A, On Chuen Street, Fanning, Hong Kong Fax: 2677 0351
E-mail: castco@hoklas.com Website: www.castco.com.hk

Test Certificate
Leakage Test of Cast Iron Discharge and Ventilating Pipes and Fittings, Sand-cast or Spun in Cast Iron (BS416 : Part 1 : 1990 Specification for spigot and socket systems Clause 5)

Date of issue: 30-06-2009 Page 1 of 1 page Castco LRN: DP0090617-033 HYD

Details as supplied by client
Client: Cheung Hing Foundry Ltd. Job title: --
Contract: -- Client's ref. no.: --
Description of fitting: Nominal size: 50 mm Length: -- Type: Anti-Syphonage P Traps with Threads
Brand name: CHF

Delivery date: -- Sample Submitted by: Asia Development (H.K.) Ltd.

Laboratory test result
Date received: 17-06-2009 Date of test: 23-06-2009

Specimen no.	DP0090617-033
Actual internal hydrostatic pressure apply	0.5 bar
Sustain period (min)	0.5
Test result	Passed

Remarks: 1. Test results relate only to the specimen tested.
2. Test results of the sample comply with the requirement of BS416 : Part 1 : 1990 Specification for spigot and socket systems Clause 5.

Checked by: K. N. SIT Approved Signatory: CHAN MAN KWONG Technical Manager



祥興鑄鐵有限公司
CHEUNG HING FOUNDRY (HK) LIMITED



ECO CAST IRON PRODUCTS

IMPORTANT NOTES:

1. All drawings are not to scale and are for reference only. Users must refer to the real products for actual design, dimension and pattern. Cheung Hing Foundry (HK) Limited reserves the rights to supply products with design, dimension and pattern slightly different from those shown in this catalog.
2. The color of the fittings, parts, and accessories shown in this catalog may be slightly different from the actual products due to the difference of colors between printing and the paints.
3. Although CHF takes care to ensure that the information given in this catalog is as accurate as possible at the time of publication, it reserves the rights to make changes at its discretion as a result of developments in the industry, changes in market demands and other changes in circumstances.
4. Users must follow the installing instructions laid. All castings should benefit from proper and regular operation and maintenance.
5. According to BS416 : Part 1:1990, all cast iron fittings are subject to a tolerance of 10mm.

Should you have any queries, please feel free to contact us at
telephone no.(852) 2447-1262 or Fax: (852) 2447-0198
Email : chf@chfhk.com

ALL RIGHTS RESERVED

It is unlawful to copy or extract the whole or part of the materials from this catalog without the written consent of Cheung Hing Foundry (HK) Limited.

© 2011 Cheung Hing Foundry (HK) Limited



CHEUNG HING FOUNDRY (HK) LIMITED

Address : 299, Pak Sha Tsuen,
Kung Um Road, Yuen Long, Hong Kong
Tel : (852) 2447-1262 Fax : (852) 2447-0198

祥興鑄鐵有限公司

地址：香港 元朗公庵路白沙村299號
Email : chf@chfhk.com <http://www.chfhk.com>