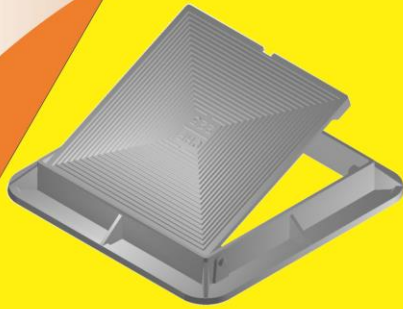
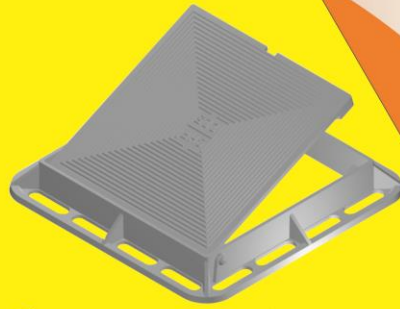


CHF[®] Eco-Hinged Grating & Cover with Frame
 鑄鐵有鉸梳/密𠵼 (隔氣井用)

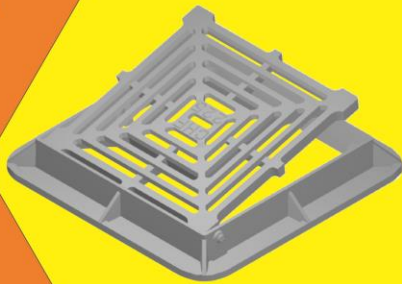
普通裝及厚裝



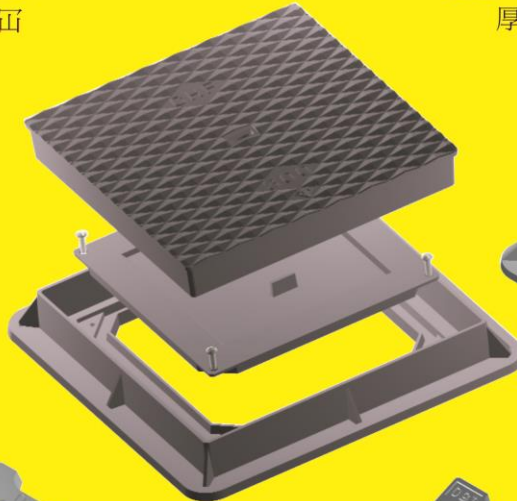
標準密𠵼



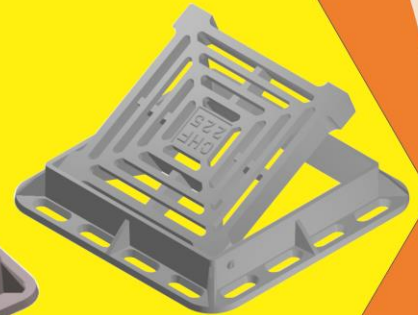
厚密𠵼



標準梳𠵼



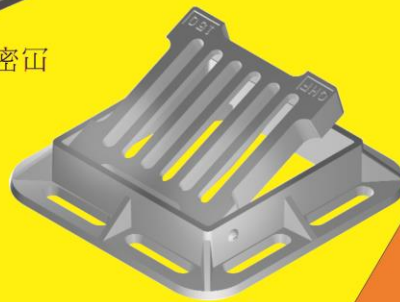
螺絲密𠵼



厚梳𠵼



標準梳𠵼



厚梳𠵼



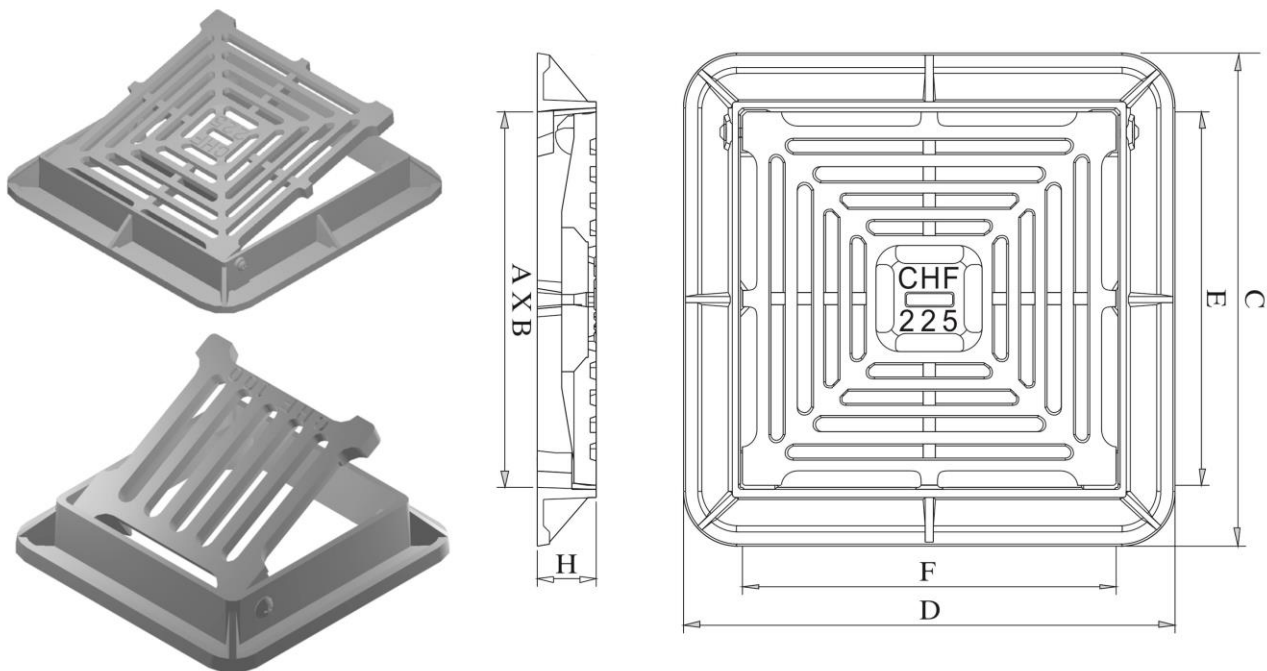
CHEUNG HING FOUNDRY (HK) LIMITED
 Address : 299, Pak Sha Tsuen,
 Kung Um Road, Yuen Long, Hong Kong
 Tel : (852) 2447-1262 Fax : (852) 2447-0198

祥興鑄鐵有限公司
 地址：香港 元朗公庵路 白沙村 299 號
 Email : chf@chfhk.com http://www.chfhk.com

CHF[®] Eco-Cast Iron Hinged Grating with Frame for OTG

鑄鐵有較梳𠵼 (隔氣井地台去水用)

<<< STANDARD 標準裝 >>>



(EA100 only)

STANDARD 標準裝					
Code No. 編號	Clear Opening 內孔尺寸 A X B (mm)	Over Base Size 底框尺寸 C X D (mm)	Cover Size 蓋面尺寸 E X F (mm)	Height 高度 H (mm)	Material 材質
EA100	101 X 101	145 X 145	101 X 101	26	** Cast Iron Comply with BS EN 1561 EN-GJL-150
EA150	151 X 151	200 X 200	151 X 151	30	
EA200	201 X 201	265 X 265	201 X 201	34	
EA225	226 X 226	300 X 300	226 X 226	36	
EA250	251 X 251	315 X 315	251 X 251	38	
EA300	301 X 301	374 X 374	301 X 301	40	

** Material- As per the requirement of "General Specification for Civil Engineering Works", HKSAR

Cheung Hing Foundry (HK) Limited reserves the rights to modify the specifications of the products in this catalog without prior notice.

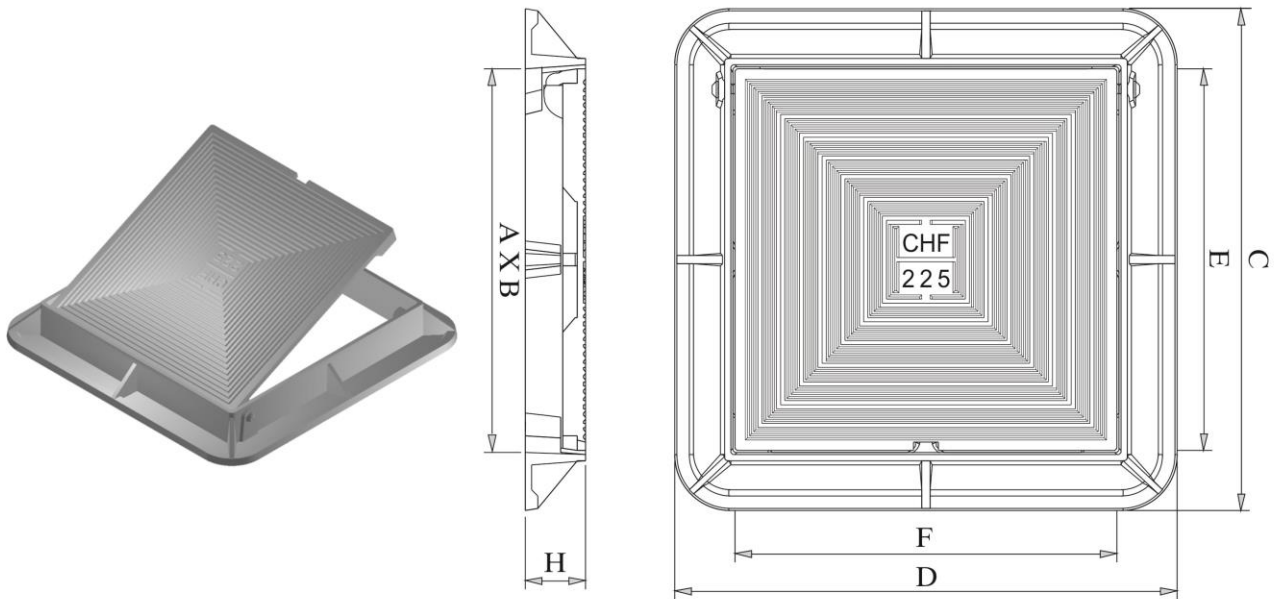


祥興鑄鐵有限公司
CHEUNG HING FOUNDRY (HK) LIMITED

CHF[®] Eco-Cast Iron Hinged Cover with Frame for STG/BIGT

鑄鐵有較密冚 (隔氣井用)

<<< STANDARD 標準裝 >>>



STANDARD 標準裝					
Code No. 編號	Clear Opening 內孔尺寸 A X B (mm)	Over Base Size 底框尺寸 C X D (mm)	Cover Size 蓋面尺寸 E X F (mm)	Height 高度 H (mm)	Material 材質
EB100	101 X 101	145 X 145	101 X 101	26	** Cast Iron Comply with BS EN 1561 EN-GJL-150
EB150	151 X 151	200 X 200	151 X 151	30	
EB200	201 X 201	265 X 265	201 X 201	34	
EB225	226 X 226	300 X 300	226 X 226	36	
EB250	251 X 251	315 X 315	251 X 251	38	
EB300	301 X 301	374 X 374	301 X 301	40	

** Material- As per the requirement of "General Specification for Civil Engineering Works", HKSAR

Cheung Hing Foundry (HK) Limited reserves the rights to modify the specifications of the products in this catalog without prior notice.

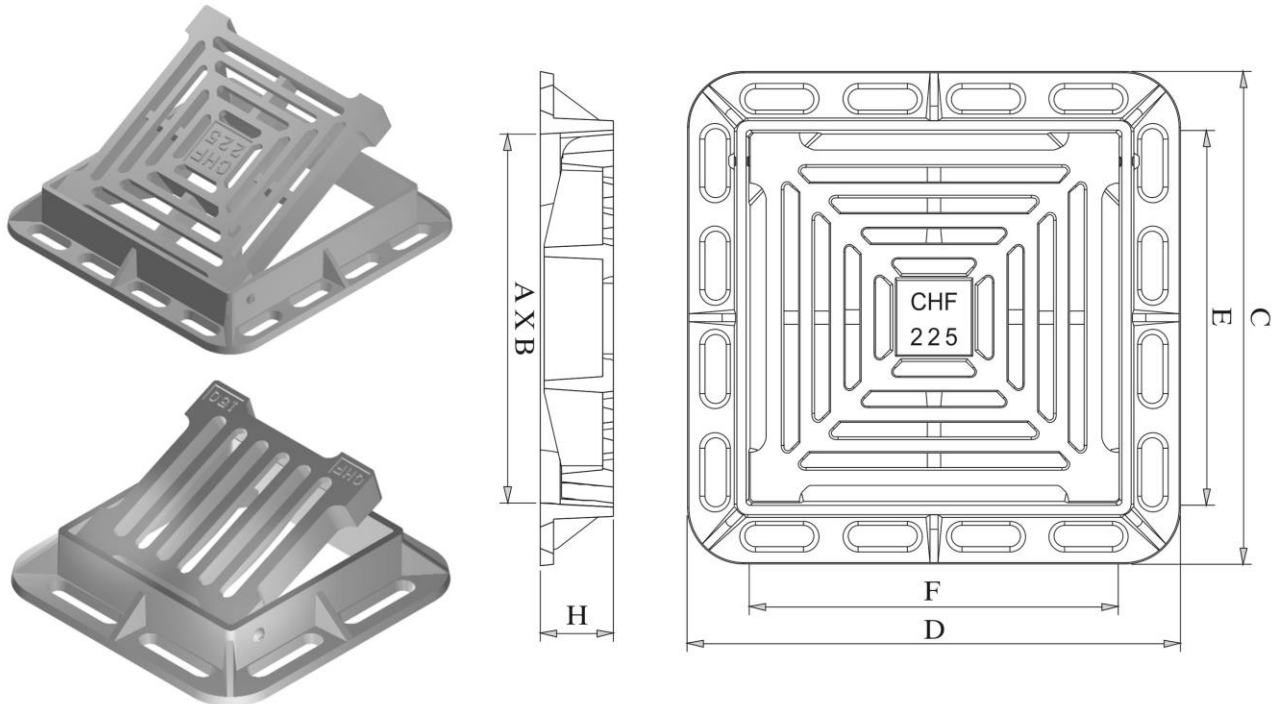


祥興鑄鐵有限公司
CHEUNG HING FOUNDRY (HK) LIMITED

CHF[®] Eco-Cast Iron Hinged Grating with Frame for OTG

鑄鐵有較梳𠵼 (隔氣井地台去水用)

《《《 REINFORCED 厚裝 》》》



(EC150 only)

REINFORCED 厚裝					
Code No. 編號	Clear Opening 內孔尺寸 A X B (mm)	Over Base Size 底框尺寸 C X D (mm)	Cover Size 蓋面尺寸 E X F (mm)	Height 高度 H (mm)	Material 材質
EC150	151 X 151	230 X 230	151 X 151	40	** Cast Iron Comply with BS EN 1561 EN-GJL-150
EC200	201 X 201	280 X 280	201 X 201	45	
EC225	226 X 226	305 X 305	226 X 226	45	
EC300	301 X 301	380 X 380	301 X 301	50	

** Material- As per the requirement of "General Specification for Civil Engineering Works", HKSAR

Cheung Hing Foundry (HK) Limited reserves the rights to modify the specifications of the products in this catalog without prior notice.

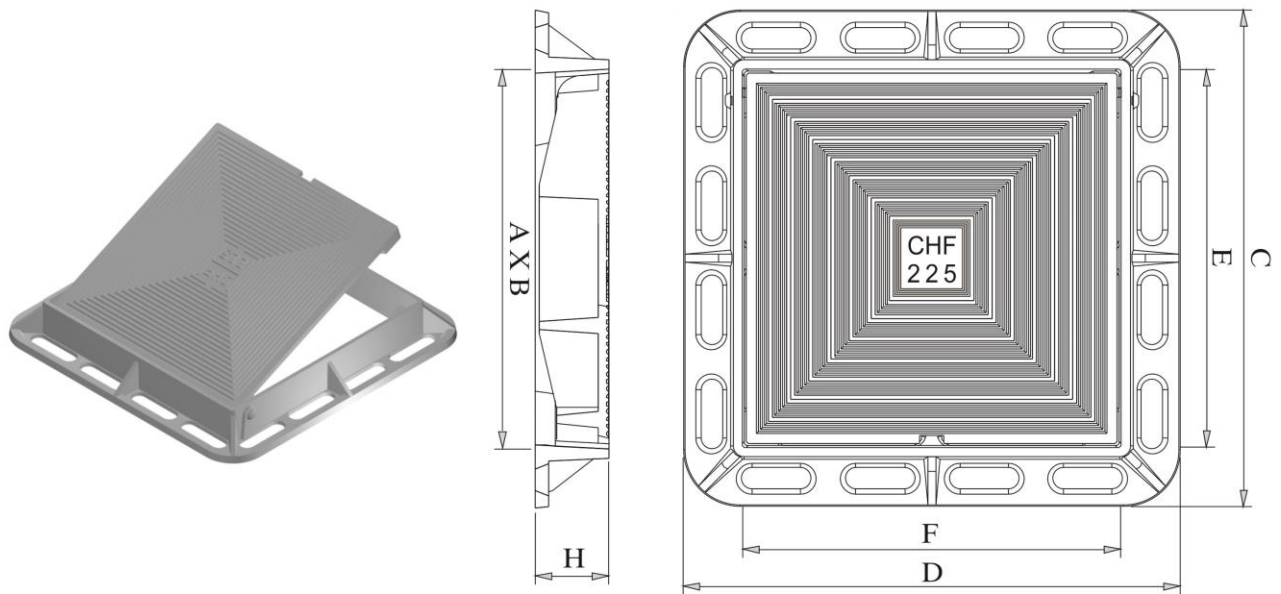


祥興鑄鐵有限公司
CHEUNG HING FOUNDRY (HK) LIMITED

CHF[®] Eco-Cast Iron Hinged Cover with Frame for STG/BIGT

鑄鐵有較密冚 (隔氣井用)

◀◀ REINFORCED 厚裝 ▶▶▶



REINFORCED 厚裝					
Code No. 編號	Clear Opening 內孔尺寸 A X B (mm)	Over Base Size 底框尺寸 C X D (mm)	Cover Size 蓋面尺寸 E X F (mm)	Height 高度 H (mm)	Material 材質
ED150	151 X 151	230 X 230	151 X 151	40	** Cast Iron Comply with BS EN 1561 EN-GJL-150
ED200	201 X 201	280 X 280	201 X 201	45	
ED225	226 X 226	305 X 305	226 X 226	45	
ED300	301 X 301	380 X 380	301 X 301	50	

** Material- As per the requirement of "General Specification for Civil Engineering Works", HKSAR

Cheung Hing Foundry (HK) Limited reserves the rights to modify the specifications of the products in this catalog without prior notice.



祥興鑄鐵有限公司
CHEUNG HING FOUNDRY (HK) LIMITED