

# CHF WINCOB - RAINWATER OUTLET

For Above Ground Surface, Floor, Rooftop and Other Areas

Design Registration in Hong Kong: No. 97/00630.2

Design Registration in United Kingdom: No. 2066372



*All drawings are for reference only.*

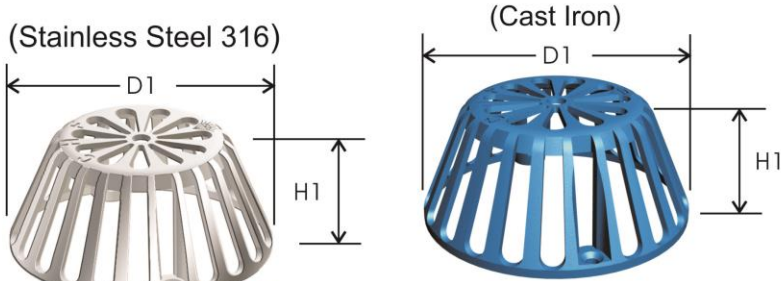


祥興鑄鐵有限公司  
CHEUNG HING FOUNDRY (HK) LIMITED

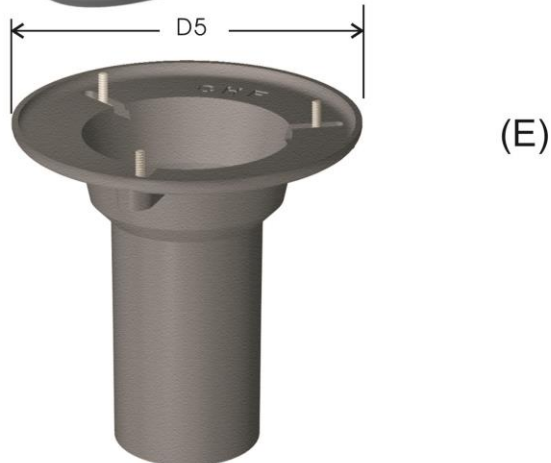
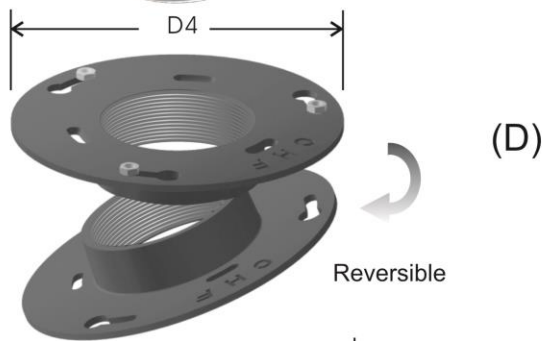
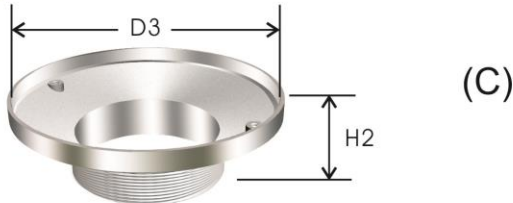
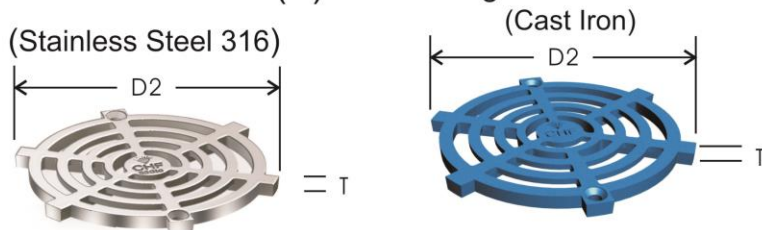
**- CHAMELEON Series - 2008**

With Stainless Steel /Cast Iron Dome Strainer or  
Stainless Steel / Cast Iron Flat Grating  
for Above Ground Surface, Floor, Rooftop and Other Areas

**\* (A) Dome Strainer**



**\* (B) Flat Grating**



**\*Both are interchangeable**

Code No.	Materials	Cast Iron Outlet	(A) Dome Strainer	
			External Diameter D1 ( mm )	Height H1 ( mm )
HBH075	Comply with BS EN 1561 EN-GJL-150	DN 75	180	80
HBH100		100	180	80
HBH150		150	225	105
HBX075	Stainless Steel 316	75	180	80
HBX100		100	180	80
HBX150		150	225	105

Code No.	Materials	Cast Iron Outlet	(B) Flat Grating	
			D2 ( mm )	T ( mm )
HBG 075	Comply with BS EN 1561 EN-GJL-150	mm 75	180	9
HBG 100		100	180	9
HBG 150		150	225	12
HBW075	Stainless Steel 316	75	180	9
HBW100		100	180	9
HBW150		150	225	12

Code No.	Cast Iron Outlet	(C) Funnel	
		D3	H2
	mm	mm	mm
HCJ#1A	75	180	60
HCJ#1A	100	180	60
HCJ#2	150	225	60

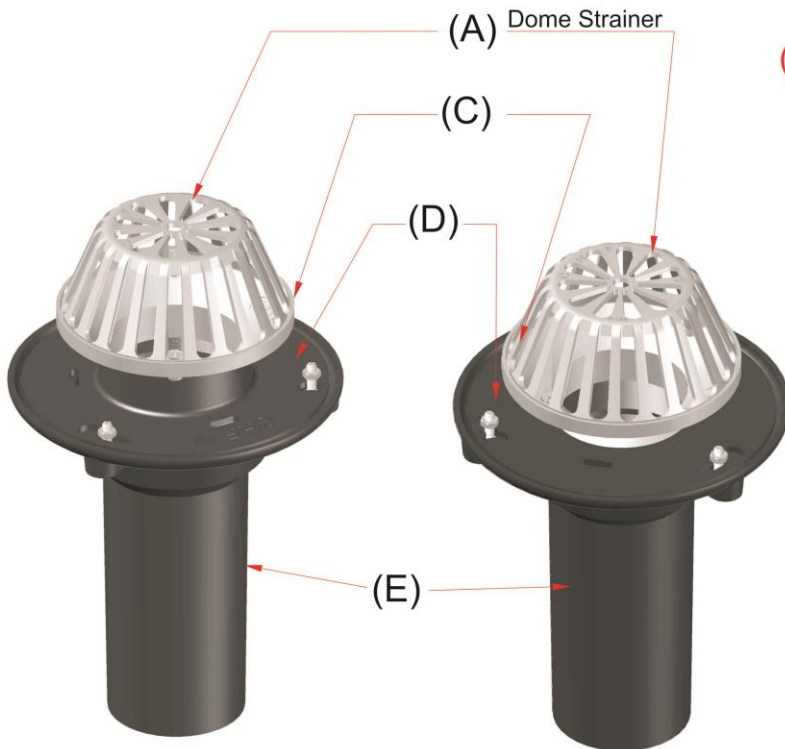
Code No.	Outlet	(D) Cast Iron Collar with Female Thread Comply with BS EN 1561 EN-GJL-150		
		Internal Female Thread	D4 External Diameter	Height
	DN	inch	mm	mm
HCL #1	75	4	220	40
HCL #1	100	4	220	40
HCL#2	150	6	270	40

Code No.	Outlet	(E) Outlet Body Cast Iron Comply with BS EN 1561 EN-GJL-150	
		D5 External Diameter	Height
	DN	mm	mm
HBF075	75	265	300
HBF100	100	265	300
HBF150	150	320	300

# CHF® WINCOB - RAINWATER OUTLET

For Above Ground Surface, Floor, Rooftop and Other Areas

## TECHNICAL SPECIFICATION



### (A&B) Grating - Stainless Steel (for DN 75, 100, 150 outlet)

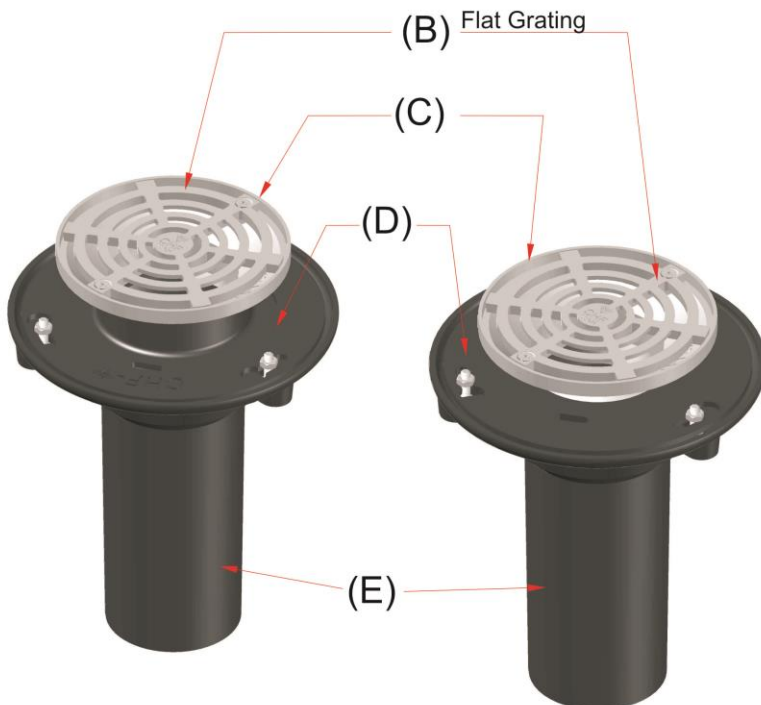
The grating prevents debris, chippings and other objects from blocking the outlet, whilst still allows a free flow of rainwater and surface water through to the sump.

### (C) Funnel - Nickel-plated Brass (Male threaded)

The threaded funnel with grating can be screwed onto the reversible collar and adjusted to a desirable height.

### (D) Collar - Cast Iron (Female threaded)

This cast iron reversible collar can be fixed onto the throat of the outlet by screws from either end to adjust the height. The locking points can eliminate unnecessary movement of the collar whilst the seepage holes can further collect unwanted water seeped through the bed of concrete.



### (E) Outlet Body - Cast Iron

This cast iron outlet body ensures an adequate head of water for an efficient flow in the rainwater and drainage systems.

All drawings are for reference only.



祥興鑄鐵有限公司  
CHEUNG HING FOUNDRY (HK) LIMITED

**CASTCO**

佳力高試驗中心有限公司  
CASTCO TESTING CENTRE LTD.

香港灣仔皇后大道中133號 33, On Kwei Street, Fanning, Hong Kong Tel: 2677 2138  
香港德輔道中29A號 29A, On Chuen Street, Fanning, Hong Kong Fax: 2677 0351  
E-mail: castco@navigator.com Website: www.castco.com.hk

**Test Certificate**  
Dimension check on discharge and ventilating pipes  
and fittings, sand-cast or spun in cast iron  
(Based on BS416 : Part 1 : 1990, Clause 4)

Date of issue : 27-09-2007  
Page 1A of 1 page  
Castco LRN : DP270910-0656 DIM

**Details as supplied by client**  
Client : Cheung Hing Foundry Ltd. Client's ref. no. : --  
Contract no. : -- Job title : --  
Sample description : DN100mm x 300mm H Wincob - Rainwater Outlet  
Manufacturer : Cheung Hing Foundry Ltd. Brand **CHF**  
Remark : Sample Submitted by : Asia Development (H.K.) Ltd.

**Laboratory test result**  
Date sample received : 10-09-2007 Date of test : 10-09-2007  
Dimension Check  
Specimen no. : DP270910-0656

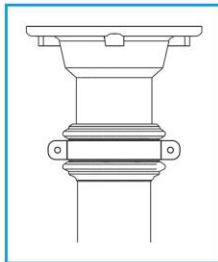
Dimensions	BS requirement from figure table 1	Product requirement from code no. HCA160	Measured mean value
D1	--	150 mm	152 mm
D2	--	158 mm	158 mm
D3	--	220 mm	222 mm
D4	--	265 mm	264 mm
DN	≥ 99 mm	100 mm	100 mm
H	--	300 mm	302 mm

Remarks :  
1. Test result relates only to the specimen tested.  
2. Test results of the sample comply with the requirement of BS416 : Part 1 : 1990, Clause 4.  
3. Compliance of the test results to the specified standards is an opinion of the laboratory and is not covered under the HOKLAS accreditation.  
4. This page of report supersedes page 1 of previous test certificate of Castco LRN: DP2709 0-0656 DIM.

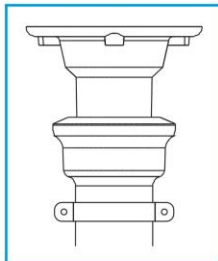
Checked by : K. N. SIT Approved Signatory : CHOI TZE WING  
C.Eng., M.HKIE, M.C.E.  
Laboratory Engineer

Form No. PPE 00001\_75 of 03/09/2006

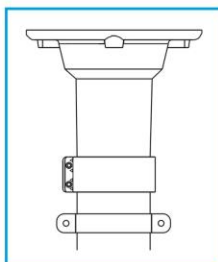
Hong Kong Accreditation Service (HKAS) has accredited this laboratory under the Hong Kong Laboratory Accreditation Scheme (HOKLAS) for specific laboratory activities as listed in the HOKLAS Directory of Accredited Laboratories. The results shown in this report were determined by this laboratory in accordance with its terms of accreditation. This report shall not be reproduced unless with prior written approval from this laboratory.



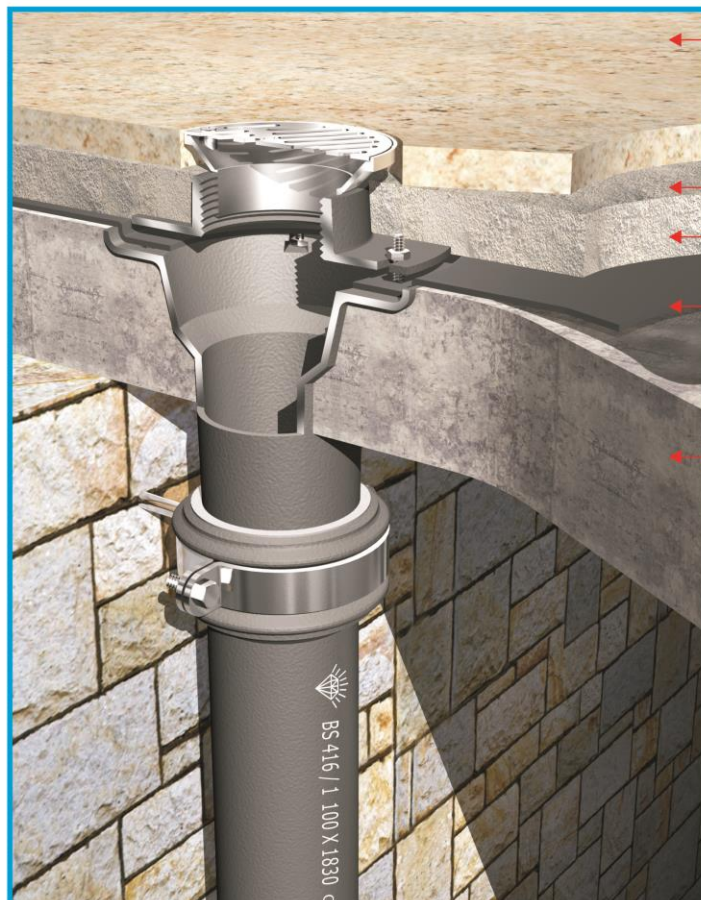
Connect to BS416 Pipework



Connect to BS437 Pipework



Connect to BSEN877 Pipework



- ← Finished Flooring
- ← Cement Mortar
- ← Waterproof Membrane
- ← Asphalt with Reflective Paint
- ← Reinforced Concrete Slab



**CHEUNG HING FOUNDRY (HK) LIMITED**  
Address : 299, Pak Sha Tsuen,  
Kung Um Road, Yuen Long, Hong Kong  
Tel : ( 852 ) 2447-1262 Fax : ( 852 ) 2447-0198

**祥興鑄鐵有限公司**  
地址 : 香港 元朗公庵路 白沙村 299 號  
Email : chf@chfhk.com http://www.chfhk.com